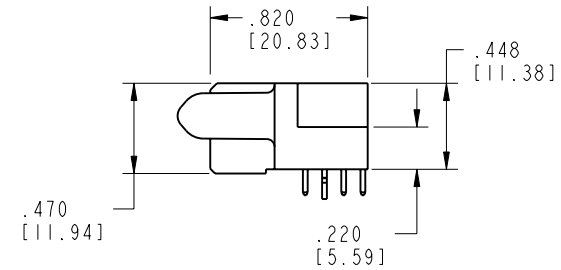
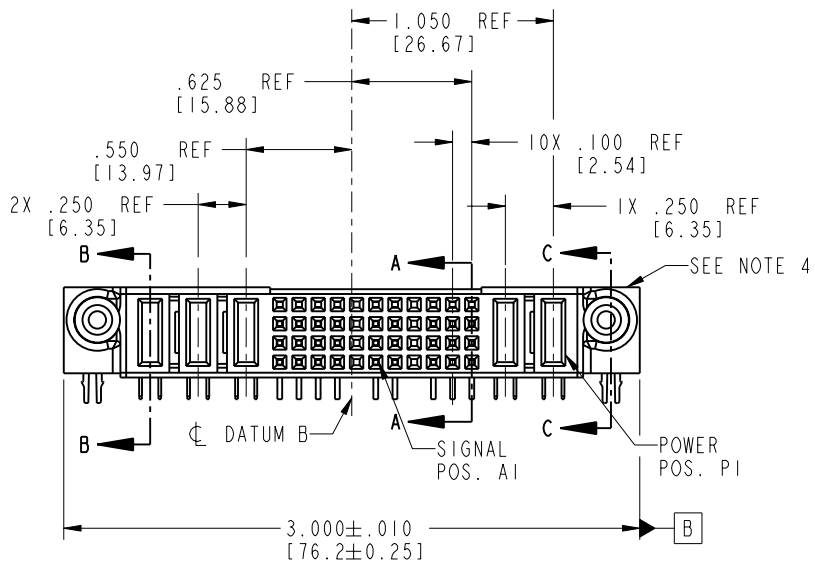
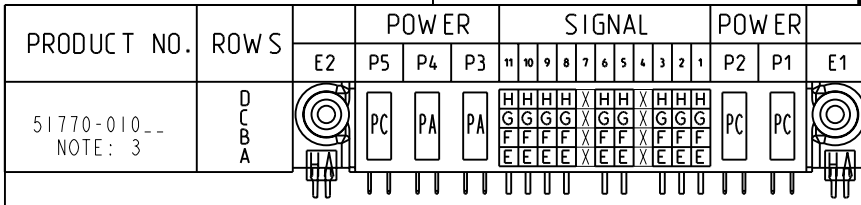


Tous droits strictement réservés. Reproduction ou communication o des liens interdite sous quelque forme que ce soit sans autorisation écrite du propriétaire. Propriete de c FCI. Droits de reproduction FCI.

All rights strictly reserved. Reproduction or issue to third parties in any form whenever is not permitted without written authority from the proprietor. Property of FCI. Copyright FCI.



CODE	DIM "M" MATING LENGTH	CONTACT TYPE
E	N/A [N/A]	SIGNAL
F	N/A [N/A]	SIGNAL
G	N/A [N/A]	SIGNAL
H	N/A [N/A]	SIGNAL
PA	.042 [1.07]	POWER
PC	.092 [2.34]	POWER
HA	N/A [N/A]	HOLD-DOWN
X	OMITTED	OMITTED

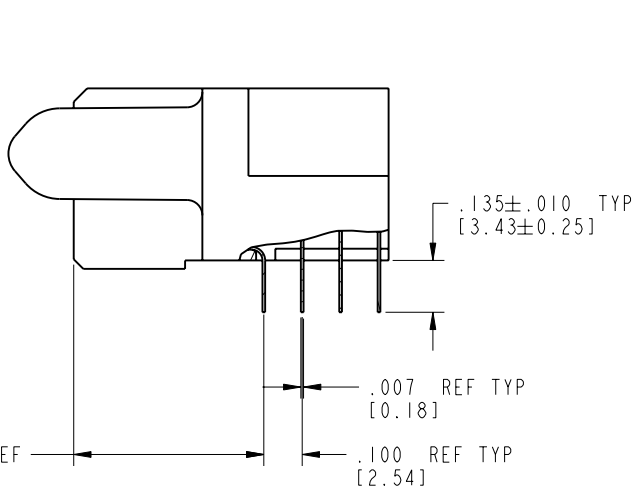
mat'l code SEE NOTE 2				tolerances unless otherwise specified		CUSTOMER		www.fciconnect.com	
lfr	ecn no.	dr	date	linear	.XX±.01/0.X±0.3	COPY			
A	V03-0219	TAB	02/26/03		.XXX±.005/0.XX±0.13	projection			
B	V03-0305	TAB	03/13/03	angles	.XXX±.0020/0.XXX±0.051	INCH/MM			
C	DG05-0530	GuoJM	12/08/05	dr	T. BRUNGARD 02/26/03	scale		product family PwrBlade code 213 size dwg no 51770-010 sheet 1 of 4	
				engr	M. MOSTOLLER 02/26/03	1:1			
				chr	M. MOSTOLLER 02/26/03			coge code 22526	
				appd	M. MOSTOLLER 02/26/03				
sheet index	revision sheet	C	C	C	C				
		1	2	3	4				

Tous droits strictement réservés. Reproduction ou communication o des liens interdite sous quelque forme que ce soit sans autorisation écrite du propriétaire. Propriété de c FCI. Droits de reproduction FCI.

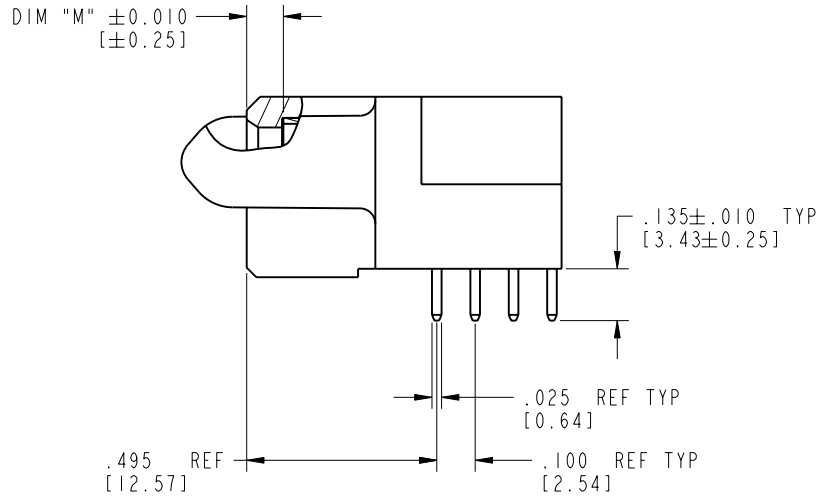
All rights strictly reserved. Reproduction or issue to third parties in any form, whatever is not permitted without written authority from the proprietor. Property of FCI. Copyright FCI.

PRODUCT NUMBER

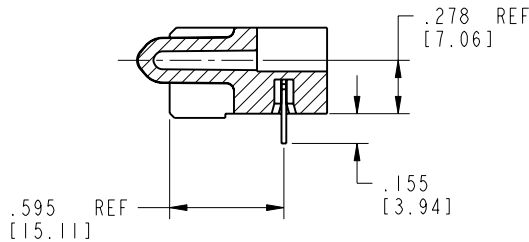
51770-010\_\_  
NOTE: 3



BROKEN-OUT SECTION A-A  
SCALE 2:1



BROKEN-OUT SECTION B-B  
SCALE 2:1



SECTION C-C

mat'l code				SEE NOTE 2		tolerances unless otherwise specified		CUSTOMER		 www.fciconnect.com	
lfr	ecr no.	dr	date	linear	.XX±.01/0.X±0.3		COPY		 projection	title	
c					.XXX±.005/0.XX±0.13		 INCH/MM			2P + 44S + 3P	
					.XXX±.0020/0.XXX±0.051		 scale			R/A SOLDER RECEPTACLE	
				angles	0° ± 2°		product family PwrBlade		code		
				dr	T. BRUNGARD	02/26/03	size dwg no		213		
				engr	M. MOSTOLLER	02/26/03	A 51770-010		sheet		
				chr	M. MOSTOLLER	02/26/03			2 of 4		
				appd	M. MOSTOLLER	02/26/03					
sheet index	revision sheet						cage code		22526		

Pro/E

cage code 22526

PDM: Rev:C

STATUS: Released

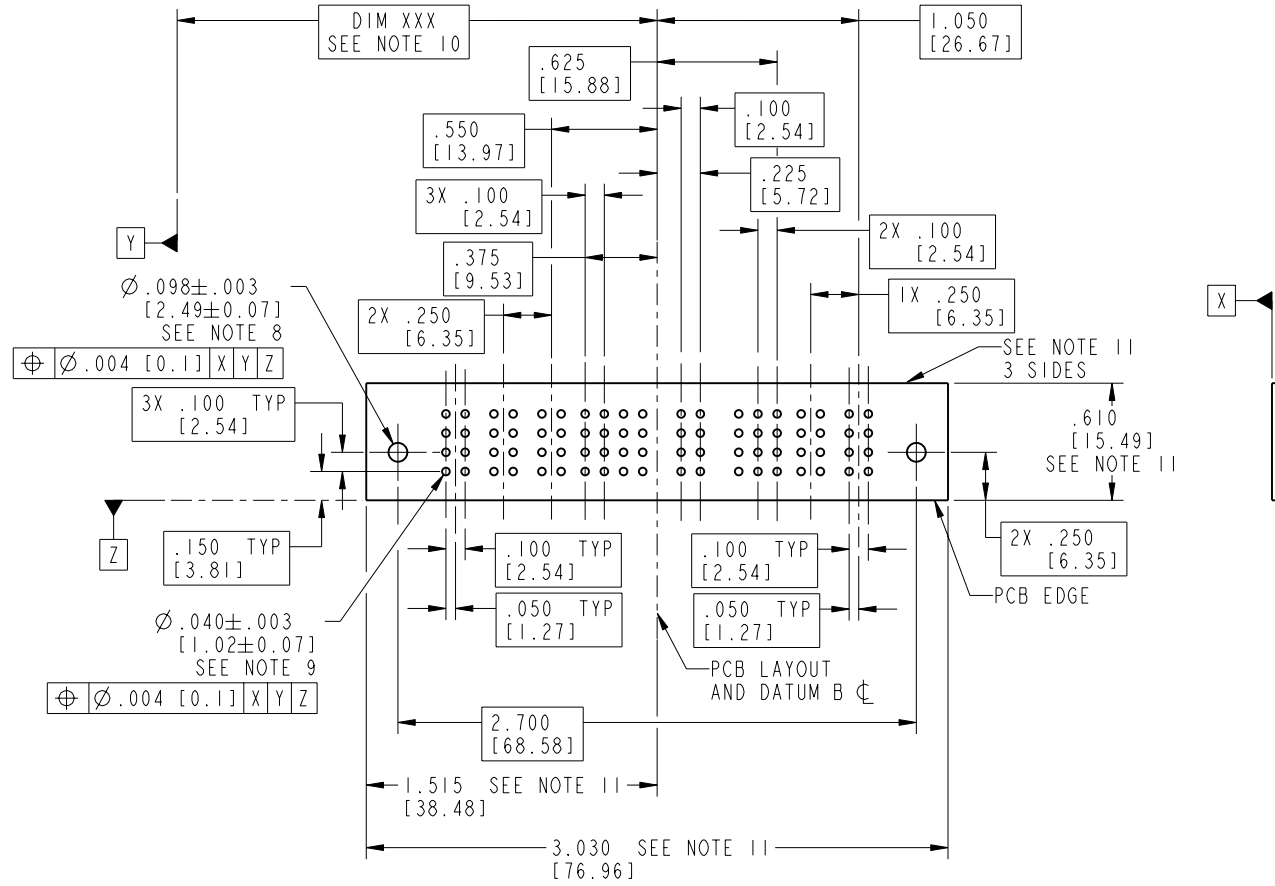
Printed: Aug 14, 2007

Tous droits strictement réservés. Reproduction ou communication o des liens interdite sous quelque forme que ce soit sans autorisation écrite du propriétaire. Propriete de c FCI. Droits de reproduction FCI.

All rights strictly reserved. Reproduction or issue to third parties in any form, whatever is not permitted without written authority from the proprietor. Property of FCI. Copyright FCI.

PRODUCT NUMBER

51770-010\_\_  
NOTE: 3



mat'l code				SEE NOTE 2		tolerances unless otherwise specified		CUSTOMER		 www.fciconnect.com	
ltr	ecn no.	dr	date	linear	.XX±.01/0.X±0.3	projection	COPY		title		
c				angles	.XXX±.005/0.XX±0.13		R/A SOLDER RECEPTACLE		product family		
				dr	.XXX±.0020/0.XXX±0.051	INCH/MM	PwrBlade		code		
				enrg	0°±2°	scale	A		size		
				chr	T. BRUNGARD 02/26/03	1:1	51770-010		sheet		
				appd	M. MOSTOLLER 02/26/03		3 of 4		cage code		
sheet index	revision sheet								22526		

Pro/E

cage code 22526

PDM: Rev:C

STATUS: Released

Printed: Aug 14, 2007

Tous droits strictement réservés. Reproduction ou communication o des liers interdite sous quelque forme que ce soit sans autorisation écrite du propriétaire. Propriete de c FCI. Droits de reproduction FCI.

**A** **FCI**

All rights strictly reserved. Reproduction or issue to third parties in any form, whenever is not permitted without written authority from the proprietor. Property of FCI. Copyright FCI.

A

B

**PRODUCT NUMBER**

51770-010\_\_  
NOTE: 3

**NOTES:**

1. DIMENSIONS AND TOLERANCES ARE IN ACCORDANCE WITH ASME Y14.5M, 1994 UNLESS OTHERWISE SPECIFIED.

**CONNECTOR NOTES:**

2. HOUSING MATERIAL: UL 94 V-0 GLASS FILLED  
HIGH-TEMP THERMOPLASTIC  
POWER CONTACT MATERIAL: COPPER ALLOY  
SIGNAL PIN MATERIAL: COPPER ALLOY

3. PLATING:  
51770-010 Singal Pin:30u"/0.76um Au OVER 50u"/1.27um Ni ON THE CONTACT AREA.  
AND 100u"/2.54um SnPb PLATING OVER 50u"/1.27um Ni ON THE TERMINATION SECTION.  
Power Pin:30u"/0.76um Au OVER 50u"/1.27um Ni ON THE CONTACT AREA,  
AND 100u"/2.54um SnPb PLATING OVER 50u"/1.27um Ni ON THE TERMINATION SECTION.  
51770-010LF Singal Pin:30u"/0.76um Au OVER 50u"/1.27um Ni ON THE CONTACT AREA.  
AND 78u"/2.00um Sn PLATING OVER 50u"/1.27um Ni ON THE TERMINATION SECTION.  
Power Pin:30u"/0.76um Au OVER 50u"/1.27um Ni ON THE CONTACT AREA,  
AND 78u"/2.00um Sn PLATING OVER 50u"/1.27um Ni ON THE TERMINATION SECTION.

PART NUMBER 51770-010LF MEETS EUROPEAN UNION DIRECTIVE AND OTHER ICOUNTRY REGULATIONS AS DESCRIBED IN GS-22-008.

THE HOUSING WILL WITHSTAND EXPOSURE TO 260° PEAK TEMPERATURE FOR 10 SECONDS IN A WAVE SOLDER APPLICATION WITH A CIRCUIT BOARD.

4. MANUFACTURER'S NAME, P/N, AND DATE CODE TO APPEAR ON THIS SURFACE.

5. PRODUCT SPECIFICATION GS-12-149.  
APPLICATION SPECIFICATION BUS-20-067.

6. PACKAGED IN TRAYS.

**PCB NOTES:**

7. ALL HOLE DIAMETERS ARE FINISHED HOLE SIZE.

8. MOUNTING HOLES, WHERE APPLICABLE, ARE UNPLATED.

9. Ø.0453±.0010 [1.151±0.025] DRILLED HOLES PLATED WITH .0003 [0.008] MIN SnPb OVER .001 [0.03] TO .003 [0.08] Cu PLATING TO ACHIEVE Ø.040±.003 [1.02±.07] HOLE.

10. "DIM XXX" TO BE DETERMINED BY THE CUSTOMER.

11. CONNECTOR KEEP-OUT ZONE.

mat'l code		SEE NOTE 2		tolerances unless otherwise specified		CUSTOMER		<b>A</b> <b>FCI</b>		www.fciconnect.com			
lfr	ecn no.	dr	date	linear	.XX±.01/0.X±0.3	COPY		title 2P + 44S + 3P R/A SOLDER RECEPTACLE		product family PwrBlade		code 213	
C				angles	.XXX±.005/0.XX±0.13 .XXX±.0020/0.XXX±0.051	projection 							
				dr	T. BRUNGARD 02/26/03	INCH/MM		product family PwrBlade		code 213		sheet 4 of 4	
				engr	M. MOSTOLLER 02/26/03	scale 1:1		size A		dwg no 51770-010			
				chr	M. MOSTOLLER 02/26/03								
				appd	M. MOSTOLLER 02/26/03								
sheet index		revision sheet											

A

B

1 | 2

3 |

4

1 | 2

Pro/E

3 |

coge code 22526

4